

TIPS AND TRICKS

PRINTER MAINTENANCE & CARE

We know printers, and nothing is more frustrating than a printer that doesn't work properly. Lucky for you, we have compiled some pro tips and tricks into this handy little infographic. These are some basic care and maintenance procedures you can do to keep your printer running as smooth as possible.



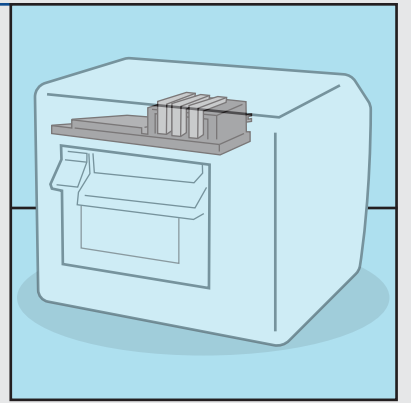
01 Location is Key

One thing often overlooked, is where you set up your printer. An Inkjet printer uses liquid ink that can clog the tiny nozzles if it sits idle for too long with lots of dust or debris in the air. A laser printer's toner may be negatively affected by high humidity. Opt for a spot with room temperatures and better air quality, but stay away from direct sunlight and moisture.



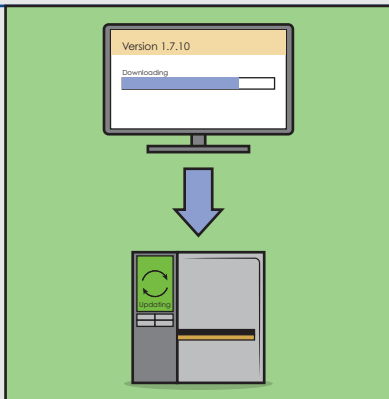
02 Printhead Maintenance

Your printer is a machine, and machines need maintenance from time to time. Build up of dust, ink, toner, ribbon material and other gunk will pile onto your printhead over time. If you see white lines streaking across your printed document, it needs a cleaning. Consult your user manual for your specific model to perform the operation properly.



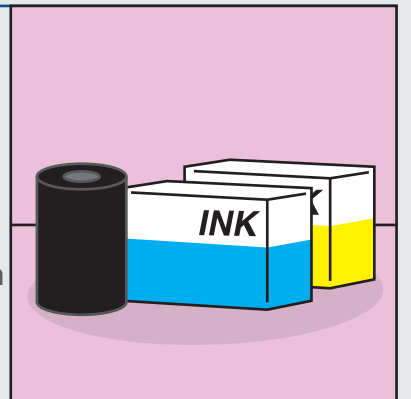
03 Update Your Drivers

Another thing often overlooked, is the driver software that runs your printer. Many manufacturers update their drivers regularly, so it is always a good idea to keep yours up to date. In some cases, mechanical issues can be traced to old drivers. Check the printer manufacturer's website for a list of all available drivers for your specific model.



04 Keep Spare Supplies On Hand

Ink, toner and thermal transfer ribbons are crucial components to their respective printer types. The last thing you want is to be out and not have any. Always keep spares on hand. Store them level in a cool, clean environment and in their packaging until needed. When replacing supplies, always consult the directions they come with to properly complete the procedure.



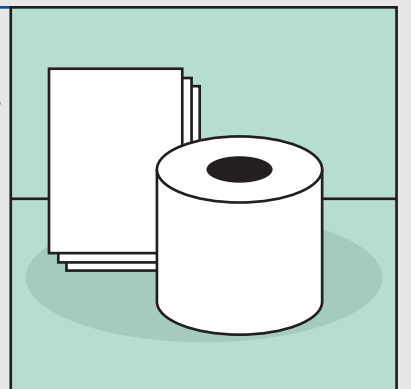
05 Turn it Off

Printers can surely handle being on for long periods of time, but doing so can shorten the life of the printer. When a printer sits in an idle state, it collects more dust and can generate excess heat, thus warping key components over time. In the long run, by simply turning it off for the weekend, you have eliminated repair cost and headaches down the road.



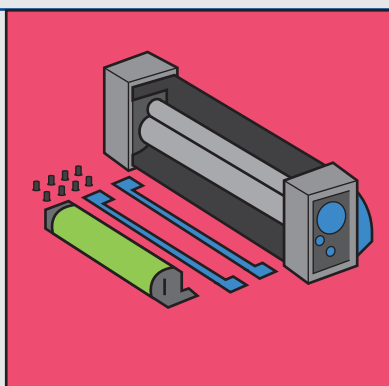
06 Choose The Right Stock

The paper or stock you run through your printer can also have negative effects. Cheaper stock, or one that may be better suited for a different printer may tend to cause jams or other printing errors. Depending on your specific model, you may need a stock type that corresponds in order to function properly. Avoid storing blank stock in direct sunlight or higher humidity.



07 Know Your Printer

Printers are almost never without problems. One of the best ways to deal with problems is to just understand your specific model and its quirks. If you know the ins and outs of your machine, you should be golden. To get to know your printer better, take some time to read the user manual and perform routine maintenance yourself as well as general use.



08 Use Your Machine

This one may seem like a no-brainer, but it's true. The more you use your printer and work with and understand how to care for it, the more confident you are when something breaks or doesn't work. Don't be afraid to refer to the user manual or look up a tutorial video too if you are stuck. If you have purchased a printer from us and have an issue, give us a call!

